



Main Features:-

- ◆ EN GJS 400-15 Ductile Iron
- ◆ Flanges to suit PN16 Flanges
- ◆ 10070 T-Port, 10071 Y-Port
- ◆ NBR O-Ring, Brass Ball & Stem
- ◆ PN16 Pressure + -10C to+100C Temp Rating

*Temperature and pressure determined by valve body, seat etc.



Suitable Applications & Approvals:



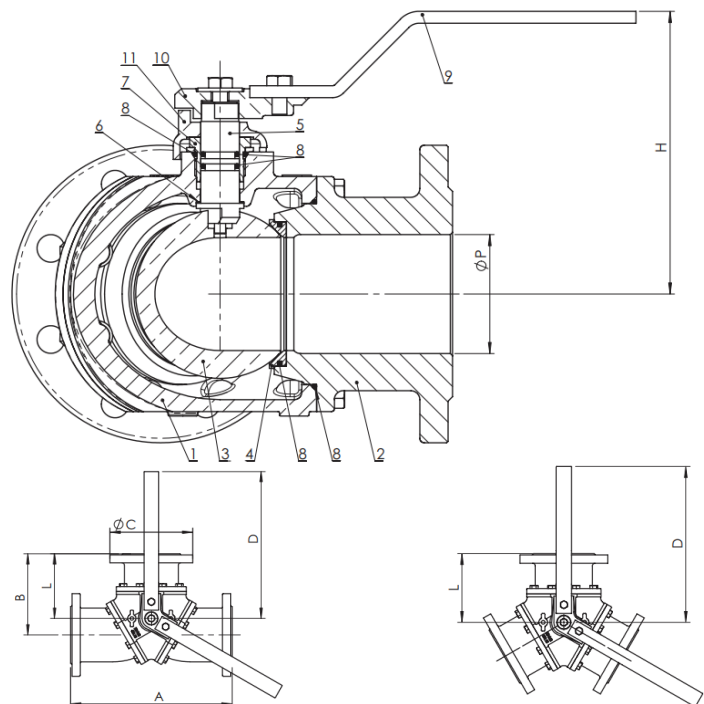
SERIES: 10070-10071

MANUFACTURER: **AVOL**
INDUSTRIAL VALVES

SIZE	P	A	B	C	D	L	H	Kg T	Kg Y	Torque Nm
2"	50	320	160	195	260	130	167	20	19	20
2 1/2"	63	350	175	185	350	140	173	26	24.5	40
3"	76	390	195	200	350	155	187	34.5	32.5	70
4"	95	430	215	220	350	165	198	44	40	100
5"	120	490	245	250	475	185	242	70	66	180
6"	145	570	285	285	475	212	261	104	98	250

VALVE DIMENSIONS

#	ITEM	MATERIAL
1	BODY	EN GJS 400-15 Epoxy Coated Ductile Iron
2	FLANGE	EN GJS 250 Cast Iron
3	BALL	CuZn40Pb2 Chrome Plated Brass
4	BALL SEAT	Reinforced PTFE
5	STEM	CuZn40Pb2 Brass
6	SLIDING WASHER	PTFE
7	RING	CuZn40Pb2 Brass
8	O-RING	NBR
9	LEVER	Epoxy Coated Carbon Steel
10	STOP PLATE	Galvanized Brass CuZn40Pb2
11	SPRING WASHER	Galvanized Brass CuZn40Pb2
12	Nut	Galvanised Carbon Steel



T +44 (0)1386 552369

W www.allvalves.co.uk

E sales@allvalves.co.uk

F +44 (0)1386 554227

